

REFLEX



SPORT PRODUCTS 1990
Made in the USA

prosport

Sport- u. Freizeit-Artikel Handels GmbH
Postfach 1340, 8222 Ruhpolding
Telefon (08663) 9092
Telex 56510 prora d

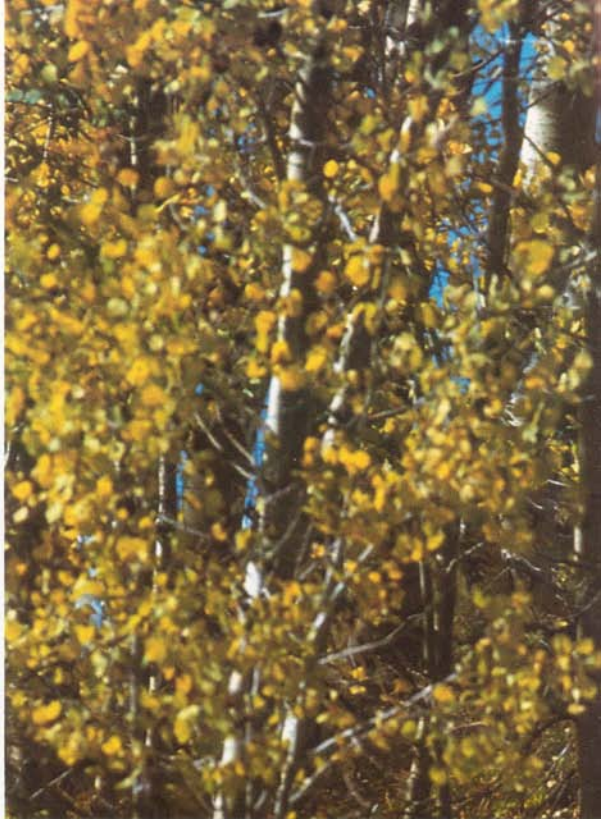
PROFESSIONAL
SERVICES

Aluminum & Carbon Fiber

The ACF is a high performance, lightweight race bike utilizing the superior characteristics of aluminum and carbon. A revolutionary process laminates carbon to aluminum for unmatched strength and durability, achieving the ultimate in state-of-the-art responsiveness.

Cover: Gail Jones portaging across the Roaring Fork River after the trail ran out.

Dave Livingston descending through aspen gates on trail #403; Elk Mountain range, Colorado.



Main Frame: EASTON C9 Carbon Tubes
Frames: Headsets w/installed Forks available
Forks: REFLEX Designed Prestige Forks
Rear Triangle: Anodized EASTON E9 Aluminum
Lugs: Aluminum, Aerospace epoxy bond
Group: Shimano Deore XT (shown) or Suntour XC Pro Beast





REFLEX ACF Components

Drive Train	Shimano Deore XT	Suntour XC Pro Beast
Rear Deraillleur	Shimano Deore XT	Suntour XC Pro
Front Deraillleur	Shimano Deore XT	Suntour XC Pro Beast
Shift Levers	Shimano Deore XT SIS 7 Spd.	Suntour XC Pro Beast/Xpress 6 Spd.
Crank Set	Shimano Deore XT SuperGlide-Round 28/38/48	Suntour XC Pro Beast Round 28/38/48
Bottom Bracket	Shimano Deore XT	Suntour XC Pro with Grease Guard
Freewheel	Shimano Deore XT Hyperglide 7 Spd. 13-30	Suntour XC Pro 13-30 6 Spd.
Chain	Shimano Deore XT Hyperglide	Suntour XC Pro
Front Hub	Shimano Deore XT	Suntour XC Pro with Grease Guard
Rear Hub	Shimano Deore XT Freehub	Suntour XC Pro Freehub w/ Grease Guard
Brakes		
Front Brake	Shimano Deore XT	Suntour XC Pro
Rear Brake	Shimano Deore XT	Suntour XC Pro SE
Brake Levers	Shimano Deore XT SLR/STI	Suntour XC Pro
Brake Cables	Shimano Deore XT	Suntour XC Pro
Seat		
Seat	Vetta Gel Leather	Vetta Gel Leather
Seat Post	Shimano Deore XT 33 G.	Suntour XC Pro
QR Seat Pin	Shimano Deore XT	Suntour XC Pro
Front End		
Headset	Shimano Deore XT	Suntour XC Pro w/ Grease Guard
Stem	Tioga T Bone Internal Front Brake Cable	Tioga T Bone Internal Brake Cable
Handlebars	REFLEX Z-Bar 21" 5° Bend	REFLEX Z-Bar 21" 5° bend
Grips	ODI Attack	ODI Attack
Wheels		
Tires	Specialized Ground Control S 26 X 1.95	Specialized Ground Control S 26 X 1.95
Spokes	Sapim 14 G. Stainless Steel(Belguim made)	Sapim 14 G. Stainless Steel(Belguim made)
Rims	Sun Metal Chinook C-16 Ultra Hard Dark Ano.	Sun Metal Chinook C-16 Ultra Hard Dark Ano.
Pedals		
Pedals	Shimano Deore XT Comp.	Suntour XC Pro
Toe Clips	Shimano Deore XT Comp.	Included

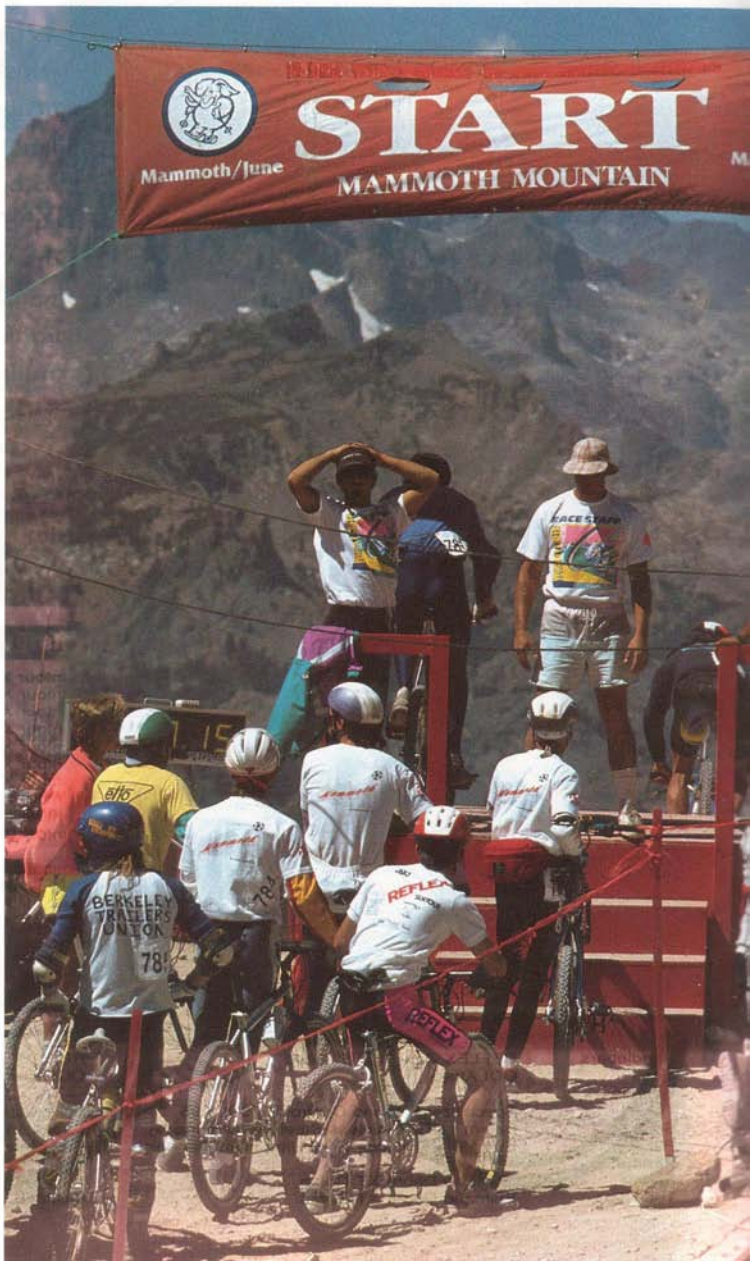
3690,-

3990,-

COMPETITION

DT CARBON DOWN TUBE

The Carbon DT II combines light-weight EASTON aluminum tubing, and high strength aluminum/carbon fiber tubing designed to provide quick handling characteristics and precise control.



The moment of truth.
In the start line at the 1989
World's Kamikaze downhill;
Mammoth Lakes, California.



Main Frame: Polished EASTON E9 Double-Butted Aluminum Top and Seat Tubes.
Down Tube: EASTON C9 Aluminum/Carbon
Forks: REFLEX Designed Prestige Forks
Rear Triangle: Anodized EASTON E9 Aluminum
Lugs: Aluminum, Aerospace epoxy bond
Group: Shimano Deore DX
 ♦ **Frames: Headsets w/installed Forks available**

REFLEX Carbon DT II Components

Drive Train	Shimano Deore DX
Rear Deraillieur	Shimano Deore DX
Front Deraillieur	Shimano Deore DX
Shift Levers	Shimano Deore DX SIS 7 Spd. STI
Crank Set	Shimano Deore DX Round SuperGlide 26/36/46
Bottom Bracket	Shimano Deore DX
Freewheel	Shimano Deore DX 7 Spd. Hyperglide 13-30
Chain	Shimano Deore DX Hyperglide
Front Hub	Shimano Deore DX
Rear Hub	Shimano Deore DX Freehub
Brakes	
Front Brake	Shimano Deore DX Cantilever
Rear Brake	Shimano Deore DX Cantilever
Brake Levers	Shimano Deore DX SLR STI
Brake Cables	Shimano
Seat	
Seat	Veta Gel Leather
Seat Post	SR TCO
QR Seat Pin	Shimano Deore XT
Front End	
Headset	Shimano Deore DX
Stem	Tioga T Bone Internal Front Brake Cable
Handlebars	REFLEX Z-Bar 21" 5° Bend
Grips	ODI Attack
Wheels	
Tires	Specialized Ground Control 26 X 1.95
Spokes	Sapim 14 G. Stainless Steel(Belguim made)
Rims	Sun Metal Chinook C-16 Ultra Hard Dark Ano.
Pedals	
Pedals	Shimano Deore DX Comp.
Toe Clips	Shimano Comp.

2990,-



Main Frame: Anodized EASTON E9 Double-Butted Aluminum
Forks: REFLEX Designed Chrome Prestige Forks (Limited) or
Chrome Tange Forks (shown)
Rear Triangle: Anodized EASTON E9 Aluminum
Lugs: Aluminum, Aerospace epoxy bond
Group: Shimano Deore XT or Deore LX (shown)
Frames: Headsets w/installed Forks available

REFLEX TWX Components

Drive Train	Shimano Deore XT TWX LIMITED	Shimano Deore LX TWX
Rear Derailleur	Shimano Deore XT	Shimano Deore LX
Front Derailleur	Shimano Deore XT	Shimano Deore LX
Shift Levers	Shimano Deore XT SIS 7 Speed STI	Shimano Deore LX SIS 7 Speed STI
Crank Set	Shimano Deore XT SuperGlide Round 28/38/48	Shimano Deore LX Biopace SuperGlide 28/38/48
Bottom Bracket	Shimano Deore XT	Shimano Deore LX
Freewheel	Shimano Deore XT Hyperglide 7 Spd. 13-30	Shimano Deore LX Hyperglide 7 Spd. 13-30
Chain	Shimano Deore XT Hyperglide	Shimano Deore LX Hyperglide
Front Hub	Shimano Deore XT	Shimano Deore LX
Rear Hub	Shimano Deore XT Freehub	Shimano Deore LX Freehub
Brakes		
Front Brake	Shimano Deore XT Blk.	Shimano Deore LX Cantilever
Rear Brake	Shimano Deore XT Blk.	Shimano Deore LX Cantilever
Brake Levers	Shimano Deore XT SLR/STI	Shimano Deore LX SLR STI
Brake Cables	Shimano Deore XT	Shimano
Seat		
Seat	Vetta Gel Leather	Vetta Gel Vette Skin
Seat Post	Shimano Deore XT	SR TCO
QR Seat Pin	Shimano Deore XT	Kalloy
Front End		
Headset	Shimano Deore XT	Shimano 500 LX
Stem	Tioga T Bone Internal Front Brake Cable	Tioga T Bone
Handlebars	REFLEX Z-Bar 21" 5" Bend	REFLEX Z-Bar 21" 5" Bend
Grips	ODI Attack	ODI Mushroom Mountaineer
Wheels		
Tires	Specialized Ground Control S 26 X 1.95	Specialized Ground Control 26 X 1.95
Spokes	Sapim 14 G. Stainless Steel(Belguim made)	Sapim 14 G. Stainless Steel(Belguim made)
Rims	Sun Metal Chinook C-16 Ultra Hard Dark Ano.	Sun Metal M-20 Polished
Pedals		
Pedals	Shimano Deore XT Comp.	Shimano Deore LX Comp.
Toe Clips	Shimano Comp.	Shimano Comp.

2490,-

The TWX Limited is our top of the line double-butted aluminum frame equipped with race ready componentry and

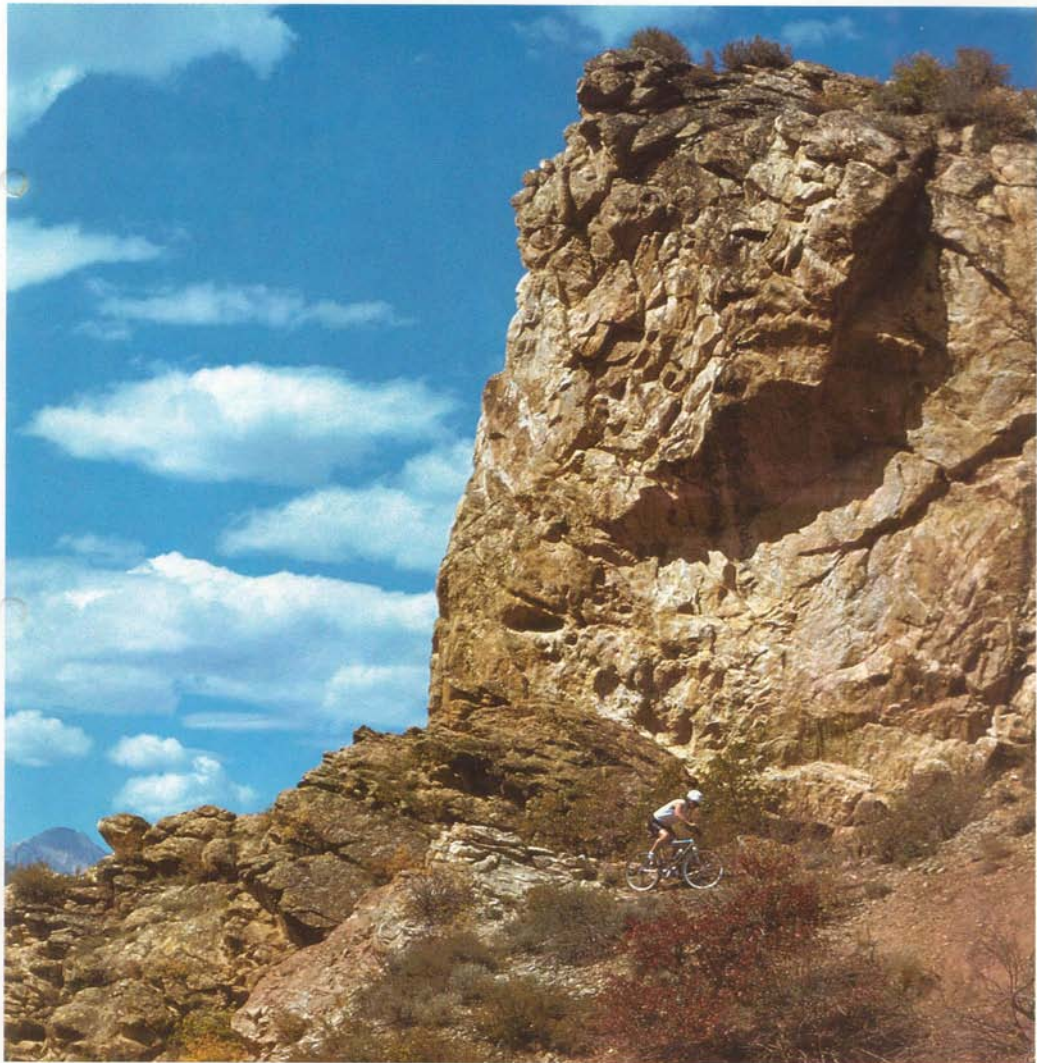
hardcoat anodized graphics. It'll get you to the line on time.

The TWX is an all aluminum double-butted frame with hardcoat anodized graphics.

A lightweight aerospace epoxy bonded frame takes on challenges effortlessly.

E X P E R T
S E R I E S

TWX TAPERWALL



Rich Vossler getting technical on a circuit around Gold Butte; Aspen, Colorado.

C H A L L E N G E
T E R R I T O R I E S

AL6000 X SERIES

The ALX gives you the smooth aluminum ride yet stiff enough for the most demanding off-road terrain. EASTON's E9 tubing is specifically designed to provide unsurpassed power-to-weight efficiency.

**Another day at the office.
City messenger Peter McCoy
turning it over downtown;
San Francisco, California.**





Main Frame: Anodized EASTON E9 Aluminum
Forks: REFLEX Designed Tange Forks
Rear Triangle: Anodized EASTON E9 Aluminum
Lugs: Aluminum, Aerospace epoxy bond
Group: Shimano 500 LX or Suntour X1 Chroma
♦ Frames: Headsets w/installed Forks available

REFLEX ALX Components

Drive Train	Shimano 500 LX	Suntour X1 Chroma
Rear Derailleur	Shimano 500 LX	Suntour X1 Chroma
Front Derailleur	Shimano 500 LX	Suntour X1 Chroma
Shift Levers	Shimano 500 LX SIS 7 Spd.STI	Suntour X1 Chroma 7 Spd. Accushift +
Crank Set	Shimano 500 LX Biopace SuperGlide 28/38/48	SR Chroma Round 28/38/48
Bottom Bracket	Yamamoto	Yamamoto
Freewheel	Shimano 500 LX Hyperglide 7 Spd.13-30	Suntour X1 Chroma 7 Spd. Accushift + 13-30
Chain	Shimano 500 LX Hyperglide	Suntour X1 Chroma
Front Hub	Shimano 500 LX	Suntour
Rear Hub	Shimano 500 LX Freehub	Suntour
Brakes		
Front Brake	Shimano 500 LX Cantilever	Dia Compe X1 Chroma Cantilever-Blk.
Rear Brake	Shimano 500 LX Cantilever	Dia Compe X1 Chroma Cantilever-Blk.
Brake Levers	Shimano 500 LX SLR STI	Dia Compe X1 Chroma
Brake Cables	Shimano	Dia Compe BRS
Seat		
Seat	Vetta Gel Vetta Skin	Vetta Gel Vetta Skin
Seat Post	SR CLE-200 300mm	SR CLE-200 300mm
QR Seat Pin	Kalloy	Kalloy
Front End		
Headset	Tioga SE-II Black Triple Sealed	Tioga SE-II Black Triple Sealed
Stem	Tioga T Bone	Tioga T Bone
Handlebars	SR Powerbulge Black	SR Powerbulge Black
Grips	ODI Mushroom Mountaineer	ODI Mushroom Mountaineer
Wheels		
Tires	Specialized Hardpack 26 X 2.2	Specialized Hardpack 26 X 2.2
Spokes	Sapim 14 G. Stainless Steel(Belguim made)	Sapim 14 G. Stainless Steel(Belguim made)
Rims	Sun Metal M-20 Dark Anodized	Sun Metal M-20 Dark Anodized
Pedals		
Pedals	SR Low Fat	SR Low Fat
Toe Clips	Mtn. Toe Clip	Mtn. Toe Clip

1995,-



An all aluminum computer designed frame with high visibility graphics has a hot look.

An unbelievable ride, weighing in at twenty six pounds.



Main Frame: Painted EASTON E9 Aluminum
Forks: REFLEX Designed Tange Forks
Rear Triangle: Painted EASTON E9 Aluminum
Lugs: Aluminum, Aerospace epoxy bond
Group: Shimano 400 XL





No ponies allowed. Play until you drop or its dark, unwinding after work, Tuesday evenings bicycle polo.

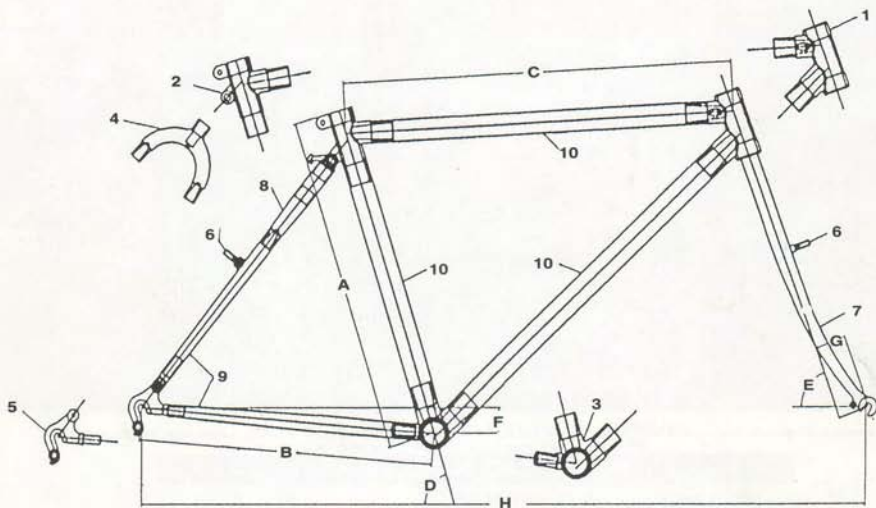
REFLEX CAD Components

Drive Train	Shimano 400 LX
Rear Derailleur	Shimano 400 LX
Front Derailleur	Shimano 400 LX
Shift Levers	Shimano 400 LX SIS 7 Spd. STI
Crank Set	Shimano 400 LX Biopace SuperGlide 28/38/48
Bottom Bracket	Yamamoto
Freewheel	Shimano 400 LX 7 Spd. Hyperglide 13-30
Chain	Shimano 400 LX Hyperglide
Front Hub	Shimano 400 LX
Rear Hub	Shimano 400 LX Freehub
Brakes	
Front Brake	Shimano 400 LX Cantilever
Rear Brake	Shimano 400 LX Cantilever
Brake Levers	Shimano 400 LX SLR STI
Brake Cables	Shimano
Seat	
Seat	Veta Gel Lycra
Seat Post	SR CLE-100 300mm
QR Seat Pin	Kalloy
Front End	
Headset	Tioga SE-II Black Triple Sealed
Stem	Tioga T Bone
Handlebars	Tioga Mountain Master Black
Grips	ODI Mushroom Toad Stool Black
Wheels	
Tires	Tioga Farmer John 26 X 1.95
Spokes	Sapim 14 G. Stainless Steel(Belguim made)
Rims	Sun Metal M-20(US made)
Pedals	
Pedals	SR SP 150 SE
Toe Clips	Mtn. Toe Clip

1795, -

REFLEX

High performance EASTON aluminum and carbon mountain bikes designed, engineered, and manufactured in the USA. Available only at authorized **REFLEX** dealers. Please call: 801-632-8605 for dealers nearest you.



REFLEX Frame Geometry

A	Frame Size	16.5"	19"	21"
B	Chain Stay Length	16.9"	16.9"	16.9"
C	Top Tube Length	21.3"	22.5"	23.3"
D	Seat Tube Angle	73°	73°	73°
E	Head Tube Angle	70.5°	70.5°	70.5°
F	Bottom Bracket Drop	1.4"	1.4"	1.4"
G	Fork Rake	1.7"	1.7"	1.7"
H	Wheelbase	41.3"	42.1"	42.5"

N°

REFLEX Frame Construction

- 1 Investment Cast Aluminum Headtube with internal Cable Guide
- 2 Investment Cast Aluminum Seatlug with 'easy thread' cable exit
- 3 Investment Cast Aluminum Bottom Bracket with 'easy thread' cable exit
- 4 Investment Cast Aluminum Wishbone
- 5 304 Stainless Steel Dropouts
- 6 Front and Rear Cantilever Brakes
- 7 REFLEX Designed Prestige or Tange Curved Blade Forks
- 8 REFLEX Designed Aluminum Monostay Rear Triangle
- 9 EASTON E9 Seamless Aluminum Seat and Chain Stays
- 10 Main Triangle Tubes: EASTON E9 Straight Wall
EASTON E9 Double Butted
EASTON AC ALU/Carbon Composite

REFLEX Sport Products
605 North Challenger Road,
Salt Lake City, Utah 84116